

**Soft Served
 Portofino Soft Ice Cream Dispenser, 2
 flavours+1mix, electr.control&touch
 panel, 500cones/h-gravity**

ITEM # _____

MODEL # _____

NAME # _____

SIS # _____

AIA # _____


560074 (POR214DGA3PH)

Soft ice cream dispenser with 2x12 l tank capacity and 1,95 l cylinder volume, 2 flavours + 1 mix, electrical control and touch screen panel, countertop, hourly production: 500 cones (75 gr), gravity version, R452A

Short Form Specification

Item No. _____

Soft ice cream and frozen yogurt dispenser with 2x12 l tank capacity and 1,95 l cylinder volume, 2 flavours + 1 mix, hourly production: 500 cones (75 gr). Digital control and touch screen panel. It is a countertop appliance with gravity system. The tank agitator and the stainless steel drip tray are included as standard. R452a as refrigerant gas. Air-cooled version: requires no water connections that means less operating costs and it is easy to install.

Main Features

- The machine is equipped with tank agitator and stainless steel drip tray.
- Digital control with touch screen.
- It delivers soft ice cream and frozen yogurt.
- The machine is equipped with two tanks of 12 liters capacity and dispenses 500 cones/h (75gr cones).
- The gravity machine is extremely easy to use, clean and maintain. Ice cream has a strong and very intense flavor.
- Countertop appliance with gravity system delivers soft ice cream and frozen yogurt, two-flavor equipment.

Construction

- Air-cooled version requires no water connections that means low operating costs and easy installation.

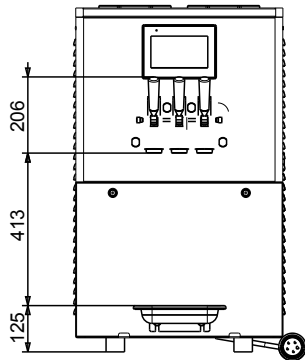
APPROVAL: _____



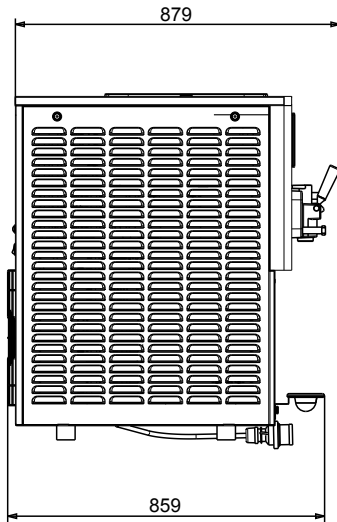
Electrolux
PROFESSIONAL

Soft Served
Portofino Soft Ice Cream Dispenser, 2
flavours+1mix, electr.control&touch panel,
500cones/h-gravity

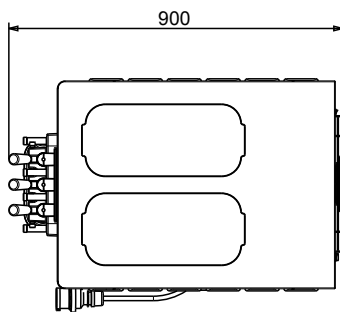
Front



Side



Top



Soft Served
Portofino Soft Ice Cream Dispenser, 2 flavours+1mix, electr.
control&touch panel, 500cones/h-gravity
The company reserves the right to make modifications to the products
without prior notice. All information correct at time of printing.

2025.05.15

Electric

Supply voltage: 380-400 V/3N ph/50 Hz
Electrical power, max: 4.5 kW

Key Information:

Net weight: 201 kg
Freezing cylinder capacity: 1.95 l
Preparation system: Gravity
N° of hoppers/grinders: 2
Hopper capacity: 12 l
Plug type: IEC/EN 60309-1/2

Refrigeration Data

Operating temperature
min.: 20 °C
Operating temperature
max.: 40 °C

Sustainability

Refrigerant type: R452A
Refrigerant weight: 1100 g